

# Polaris N3 LED Linear

LED Linear Luminaire

SVIELTO



## SPECIFICATION DATA

Code	Finish	Size (mm)	Delivered Lumens (lm)	Total System Wattage (W)	Efficacy (lm/cw)	Colour Temp (°K)	CRI
<b>PN3G/OS/0370/4K8</b>	Stainless Steel	70 ø x 370	931	6.10	152	4000K	>80
<b>PN3G/OS/0650/4K8</b>	Stainless Steel	70 ø x 650	1834	12.10	152	4000K	>80
<b>PN3G/OS/0925/4K8</b>	Stainless Steel	70 ø x 930	2765	18.20	152	4000K	>80
<b>PN3G/OS/1205/4K8</b>	Stainless Steel	70 ø x 1210	3667	24.20	152	4000K	>80
<b>PN3G/OS/1485/4K8</b>	Stainless Steel	70 ø x 1490	4598	30.30	152	4000K	>80
<b>PN3G/OS/1765/4K8</b>	Stainless Steel	70 ø x 1770	5501	36.30	152	4000K	>80

- 5 year warranty
- See website for LDT files
- For CAD/BIM contact us
- For bespoke lengths please contact us
- See website for Technical Data Sheet
- IP68



TRIDONIC



Scenario  
INTELLIGENT INFRASTRUCTURES



# Polaris N3 LED Linear

## LED Linear Luminaire



### Construction

- Extruded plexyglass
- Opal polycarbonate diffuser
- Integral control gear
- IP68 Waterproof Rating

### Features

- High efficiency LED boards
- Range of length options
- High luminous flux

### Applications

- Commercial and Business Areas
- Public buildings
- Retail/Leisure
- Offices
- Hotels and Restaurants
- Arts and Culture spaces

### Benefits

- Custom-fit options
- Contemporary style
- Energy efficient solution
- 5 Year warranty

### Optical Options

Code	Description
/OS	Opal (Standard)

### CCT Options

Code	Description
4K8	4000K (Standard)
3K8	3000K

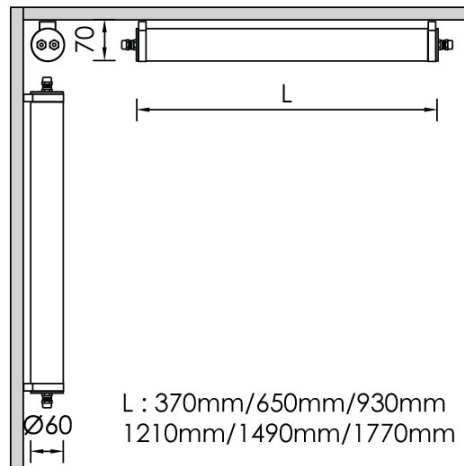
For 3000K version, replace '4K8' in part number with '3K8'

### Control Options

Code	Description
D	DALI
S	Switchdim control

For DALI control, replace 'F' in part number with 'D' for SwitchDim replace 'F' with 'S'

### Dimensions



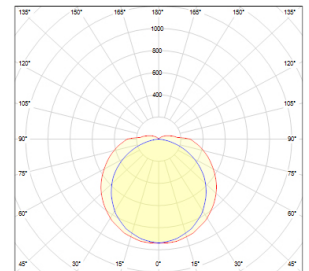
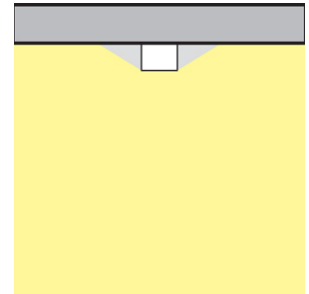
### Mounting Options

Code	Description
SUR	Surface mounting collar 2 per fitting

### Emergency Options

Code	Description
/EM	3 hour maintained, manual test
/ED	3 hour maintained, DALI / Self Test

For emergency version, add onto end of part number as required. Please note emergency versions are only available in 1205mm and longer.



**Please note,** The light source contained in this luminaire shall only be replaced by the manufacturer or his service agent or a similar qualified person.

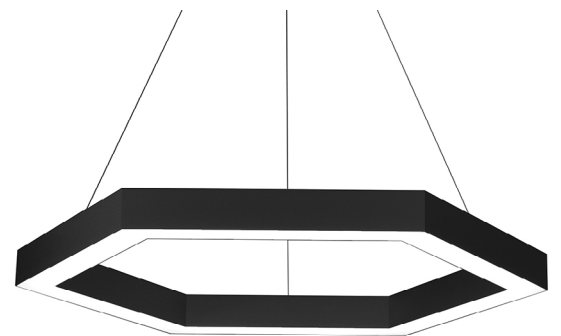
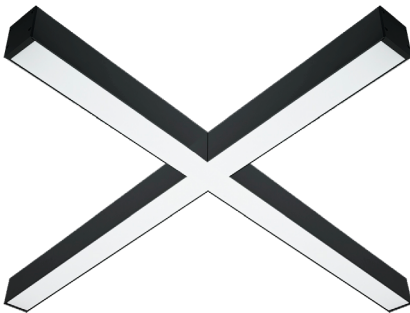
# Polaris N3 LED Linear

LED Linear Luminaire



FULLY CUSTOMISABLE

If you can  
imagine it  
Synergy Creativ  
can make it



HEAD OFFICE: Unit 4, Charlton Mead Lane, Hoddesdon, Hertfordshire EN11 0DJ

SHOWROOM: 121-131 Rosebery Ave, London EC1R 4RF

SHOWROOM: 1 New York St, Manchester M1 4HD

01992 445828



EnabLED  
Licensing Program for LED  
Luminaires and Retrofit Bulbs

Member  
Synergy Commercial  
Lighting Limited

