

Lega Visus Batton and Spot

Magnetic Track Lighting



SPECIFICATION DATA

Code	Finish	Diffuser	Size (mm)	Delivered Lumens (lm)	Total System Wattage (W)	Efficacy (lm/cw)	Colour Temp (°K)	CRI
TBC	Black	LED Lens	278 x 275	210	1.5	140	2700	>80
TBC	Black	LED Lens	278 x 275	215	1.5	143	3000	>80
TBC	Black	LED Lens	278 x 275	230	1.5	153	4000	>80

COMPATIBLE WITH

LEGA T1



LEGA T2



LEGA T5



LEGA T8



Lega Visus Batton and Spot

Magnetic Track Lighting



Construction

- Cast-pressed aluminium
- LED lens
- Requires 48V DC Track

Features

- Vertical 90° / Horizontal 360°
- Remote electronic transformer
- IP20

Applications

- Commercial and Business Areas
- Public buildings
- Co-work spaces
- Offices
- Hotels and Restaurants
- Arts and Culture spaces

Benefits

- Contemporary style
- Energy efficient solution
- Compact mini spotlight

Optical Options

Code	Description
	LED lens

CCT Options

Code	Description
4K8	4000K
3K8	3000K

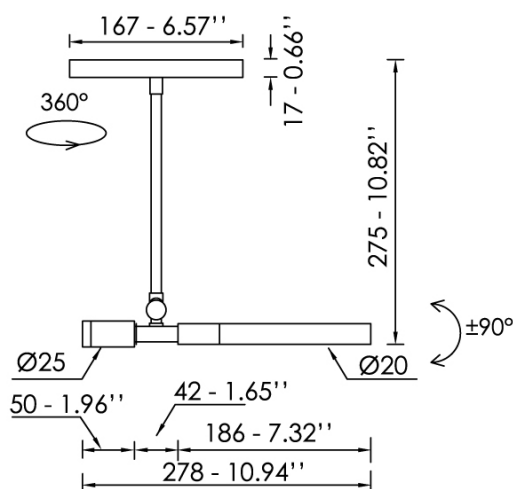
Mounting Options

Code	Description
T1	Low voltage standard track
T2	Low voltage track double emission
T5	Low voltage trimless track
T8	Low voltage recessed track

Finish Options

Code	Description
B	Black (Standard)
W	White
GL	Gold

Dimensions



Please note, The light source contained in this luminaire shall only be replaced by the manufacturer or his service agent or a similar qualified person.

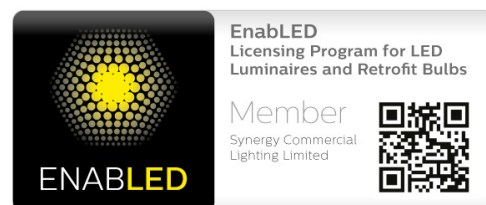


HEAD OFFICE: Unit 4, Charlton Mead Lane, Hoddesdon, Hertfordshire EN11 0DJ

SHOWROOM: 121-131 Rosebery Ave, London EC1R 4RF

SHOWROOM: 1 New York St, Manchester M1 4HD

01992 445828



Lega Visus Batton and Spot

Magnetic Track Lighting Accessories



Lega 20 Track Spot



Lega 25 Track Spot



Lega 35 Track Spot



Lega 50 Track Spot



Lega 80 Track Spot



Lega Colus Track Spot



Lega S Track Spot



Lega N Track Spot



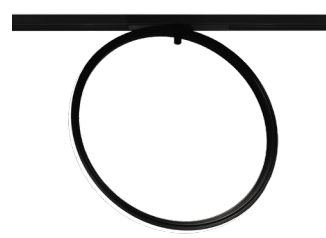
Lega 25 Pendant



Lega 50 Pendant



Lega Disc



Lega Ring



Lega LED Linear



Lega LED Linear 2



Lega LED Linear Spots



Lega Visus Batton and Spot



Lega Visus Batton



Lega Tube