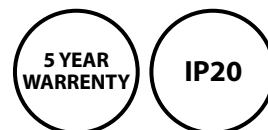




Decorative Lighting

Paz Two Table Lamp

Pendantic.



SPECIFICATION DATA

Code	Finish	Diffuser	Size (mm)	Delivered Lumens (lm)	Total System Wattage (W)	Efficacy (lm/cw)	Colour Temp (°K)	CRI
	Gold/Green	N/A	600				3000	>80

- Part numbers are for individual luminaires.
- 5 year warranty
- See website for LDT files
- For CAD/BIM contact us
- See website for Technical Data Sheet
- E27 LED Lamp
- IP20

Paz Two Table Lamp

Construction

- Metal

Features

- LED E27
- Stylish Design
- Range of Colour Options

Applications

- Commercial and Business Areas
- Public Buildings
- Housing
- Offices
- Hotels and Restaurants
- Arts and Culture spaces

Benefits

- Contemporary Style
- Energy Efficient Solution
- 5 Year Warranty

Optical Options

Code	Description
N/A	

CCT Options

Code	Description
2K8	2700K
3K8	3000K
4K8	4000K

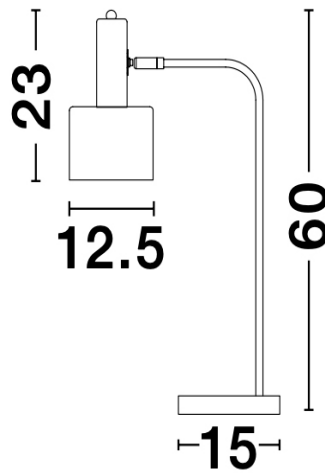
Mounting Options

Code	Description
	Suspended (Standard)

Finish Options

Code	Description
W	Gold /White
G	Gold/Green
RAL	Any RAL by request

Dimensions



Finish Detail



HEAD OFFICE: Unit 4, Charlton Mead Lane, Hoddesdon, Hertfordshire EN11 0DJ

SHOWROOM: 121-131 Rosebery Ave, London EC1R 4RF

SHOWROOM: 1 New York St, Manchester M1 4HD

01992 445828

