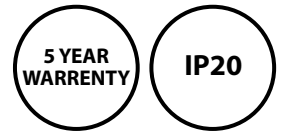
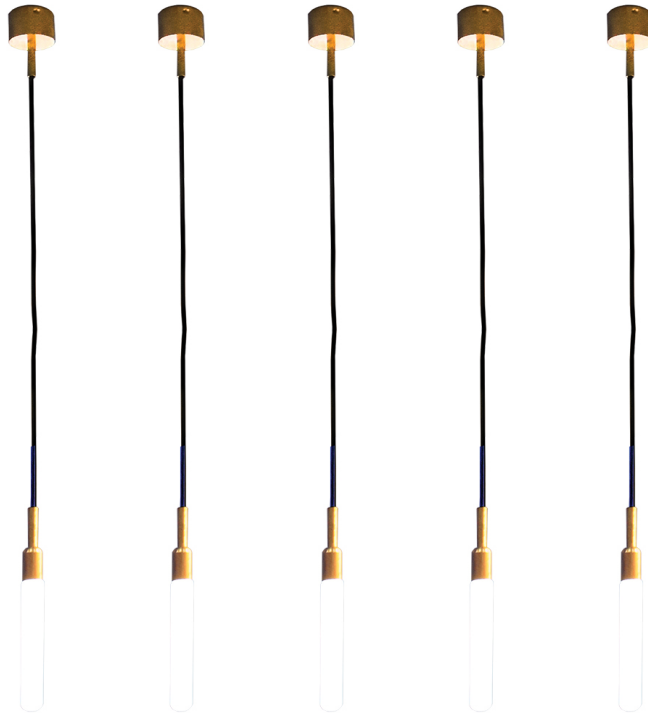




Decorative Lighting

Manhattan Three

Pendantic.



**SPECIFICATION DATA**

Code	Finish	Diffuser	Size (mm)	Delivered Lumens (lm)	Total System Wattage (W)	Efficacy (lm/cw)	Colour Temp (°K)	CRI
	Brass	Opal	45 x 83	210	1.5	140	2700	>80
	Brass	Opal	45 x 83	215	1.5	143.3	3000	>80
	Brass	Opal	45 x 83	230	1.5	153.3	4000	>80

- Part numbers are for individual luminaires.
- 5 year warranty
- See website for LDT files
- For CAD/BIM contact us
- For bespoke lengths please contact us
- See website for Technical Data Sheet
- Lifetime>50,000h L80B10
- IP20

**Construction**

- Brass
- Opal Diffuser

**Features**

- LED
- Stylish Design
- Family of Products

**Applications**

- Commercial and Business Areas
- Public Buildings
- Housing
- Offices
- Hotels and Restaurants
- Arts and Culture spaces

**Benefits**

- Contemporary Style
- Energy Efficient Solution
- 5 Year Warranty

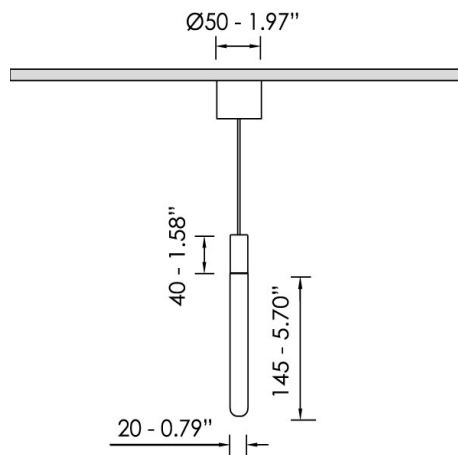
**Optical Options**

Code	Description
/OS	Opal (Standard)

**CCT Options**

Code	Description
2K8	2700K
3K8	3000K
4K8	4000K

**Dimensions**



**Mounting Options**

Code	Description
	Suspended (Standard)

**Finish Options**

Code	Description
G	Brass (Standard)
B	Black
W	White
G	Grey
RAL	Any RAL by request

**Finish Detail**



HEAD OFFICE: Unit 4, Charlton Mead Lane, Hoddesdon, Hertfordshire EN11 0DJ  
 SHOWROOM: 121-131 Rosebery Ave, London EC1R 4RF  
 SHOWROOM: 1 New York St, Manchester M1 4HD

01992 445828

**ENABLED**  
 Licensing Program for LED Luminaires and Retrofit Bulbs  
 Member  
 Synergy Commercial Lighting Limited