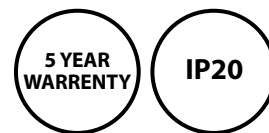




Decorative Pendant Lighting

Tahoe Pendant One

Pendantic.



SPECIFICATION DATA

Code	Finish	Diffuser	Size (mm)	Delivered Lumens (lm)	Total System Wattage (W)	Efficacy (lm/cw)	Colour Temp (°K)	CRI
	Matt Gold	Opal	ø 700 x 1200	4581	43	106.5	3000	>80

- Part numbers are for individual luminaires.
- 5 year warranty
- See website for LDT files
- For CAD/BIM contact us
- For bespoke lengths please contact us
- See website for Technical Data Sheet
- IP20

Tahoe Pendant One

Construction

- Aluminium and Acrylic

Features

- LED
- Stylish design
- Family of products

Applications

- Commercial and Business Areas
- Public buildings
- Housing
- Offices
- Hotels and Restaurants
- Arts and Culture spaces

Benefits

- Contemporary style
- Energy efficient solution
- 5 Year warranty

Optical Options

Code	Description
/OS	Opal (Standard)

CCT Options

Code	Description
3K8	3000K

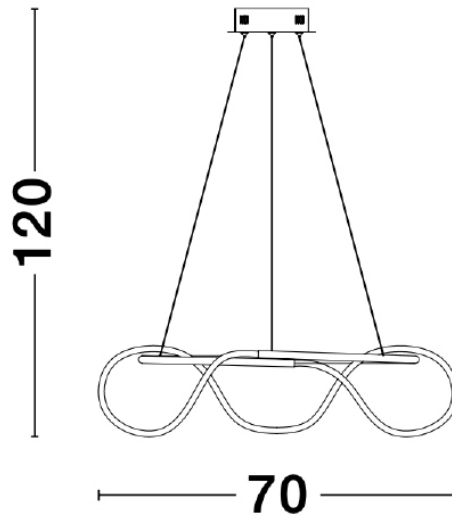
Mounting Options

Code	Description
	Surface Mounted (Standard)

Finish Options

Code	Description
	Matt Gold (Standard)

Dimensions



Finish Detail




HEAD OFFICE: Unit 4, Charlton Mead Lane, Hoddesdon, Hertfordshire EN11 0DJ

SHOWROOM: 121-131 Rosebery Ave, London EC1R 4RF

SHOWROOM: 1 New York St, Manchester M1 4HD

01992 445828



EnabledLED
Licensing Program for LED
Luminaires and Retrofit Bulbs

Member
Synergy Commercial
Lighting Limited

