



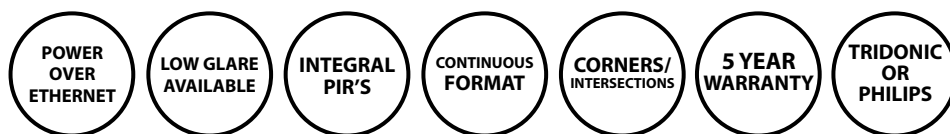
**STAND OUT FROM
THE CROWD**

Polaris 55 Recessed Opal
LED Linear Luminaire



Polaris 55 Recessed Opal

LED Linear Luminaire



SPECIFICATION DATA

Code	Finish	Distribution	Size (mm)	Delivered Lumens (lm)	Total System Wattage (W)	Efficacy (lm/cw)	Colour Temp (°K)	CRI
P55IB/1/OS/F/0568/4K8	Black	Direct only	568	1429	12.09	118.2	4000	>80
P55IB/1/OS/F/0848/4K8	Black	Direct only	848	2134	18.14	117.6	4000	>80
P55IB/1/OS/F/1128/4K8	Black	Direct only	1128	2838	24.18	117.4	4000	>80
P55IB/1/OS/F/1408/4K8	Black	Direct only	1408	3543	30.1	117.7	4000	>80
P55IB/1/OS/F/1688/4K8	Black	Direct only	1688	4247	36.51	116.3	4000	>80
P55IB/1/OS/F/1968/4K8	Black	Direct only	1968	4952	42.56	116.4	4000	>80
P55IB/1/OS/F/2248/4K8	Black	Direct only	2248	5656	48.6	116.4	4000	>80
P55IB/1/OS/F/2528/4K8	Black	Direct only	2528	6361	54.41	116.9	4000	>80
P55IB/1/OS/F/2808/4K8	Black	Direct only	2808	7065	60.45	116.9	4000	>80
P55IB/1/OS/F/3088/4K8	Black	Direct only	3088	7770	66.5	116.8	4000	>80
P55IB/1/OS/F/3368/4K8	Black	Direct only	3368	8474	72.78	116.4	4000	>80
P55IB/1/OS/F/3648/4K8	Black	Direct only	3648	9179	79.07	116.1	4000	>80
P55IB/1/OS/F/3928/4K8	Black	Direct only	3928	9884	85.12	116.1	4000	>80

- Part numbers are for individual luminaires.
- 5 year warranty
- See website for LDT files
- For CAD/BIM contact us
- For bespoke lengths please contact us
- See website for Technical Data Sheet
- IP20

Please note, maximum run length of standard output fittings is 30m. Any length over this will require an additional mains feed position.



TRIDONIC



Scenario
INTELLIGENT INFRASTRUCTURES



Polaris 55 Recessed Opal

LED Linear Luminaire



Construction

- Extruded aluminium profile
- Clip-in diffuser
- European brand control gear
- Made in the UK

Features

- High efficiency LED boards
- Range of length options
- Wide-beam light distribution

Applications

- Commercial and Business Areas
- Public buildings
- Housing
- Offices
- Hotels and Restaurants
- Arts and Culture spaces

Benefits

- Custom-fit options
- Contemporary style
- Energy efficient solution
- 5 Year warranty

Optical Options

Code	Description
/VC	Visual Comfort Low Glare
/HX	Low Glare
/OS	Opal

CCT Options

Code	Description
4K8	4000K (Standard)
3K8	3000K

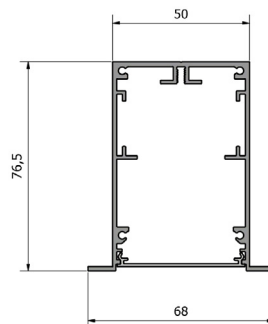
For 3000K version, replace '4K8' in part number with '3K8'

Control Options

Code	Description
D	DALI
S	Switchdim control

For DALI control, replace 'F' in part number with 'D' for SwitchDim replace 'F' with 'S'

Dimensions



Finish Options

Code	Description
B	Black RAL 9005 (Standard)
W	White RAL 9016
S	Silver RAL 9006
RAL	Any RAL by request
SFX	Special effect finishes (SFX) by request. See Product Portfolio

For White finish, replace 'B' in part number with 'W' for Silver replace 'B' with 'S'. Contact us for custom RAL

Emergency Options

Code	Description
/EM	3 hour maintained, manual test
/ED	3 hour maintained, DALI / Self Test

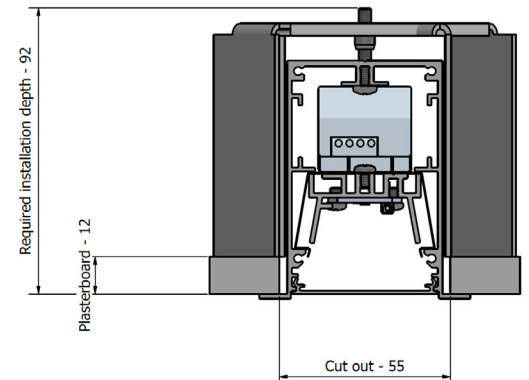
For emergency version, add onto end of part number as required

Continuous Options

Code	Description
C	Continuous
S	Start of run
E	End of run

Part numbers are for individual luminaires. For continuous replace 'I' in part number with 'C', 'S' or 'E'. Please specify continuous separately.

ie **P31B/HX/F/3990/4K8**



Please Note: This is for single 12.5mm plasterboard – if double plasterboard is being used to please contact us as we can offer a longer rod to fit the bracket.

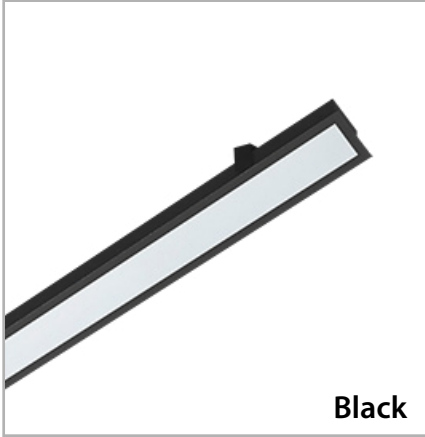
Please note, The light source contained in this luminaire shall only be replaced by the manufacturer or his service agent or a similar qualified person.

Polaris 55 Recessed Opal

LED Linear Luminaire



STANDARD FINISHES



Black finish as standard - represented by 'B' in the part number

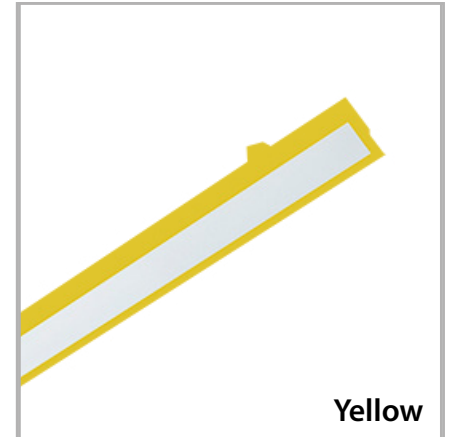
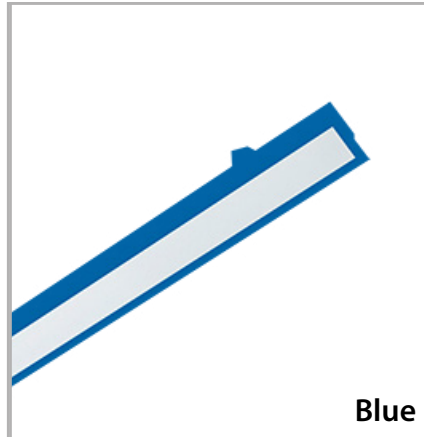
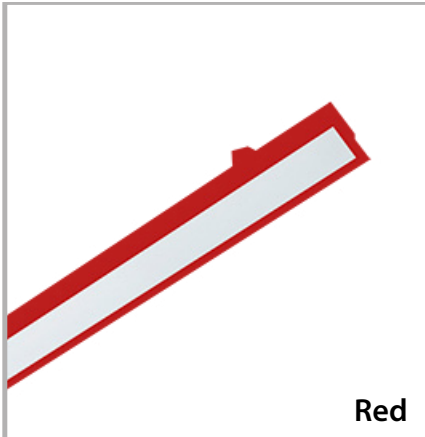


For White finish, replace 'B' in part number with 'W'



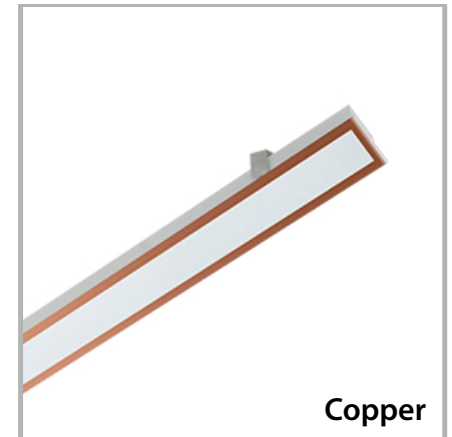
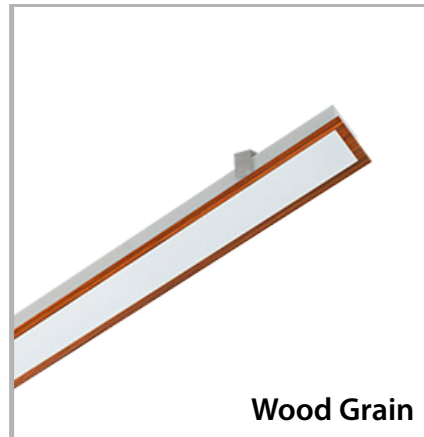
For Silver finish, replace 'B' in part number with 'S'

ANY RAL BY REQUEST



Contact us for custom RAL finishes prices and specification. Synergy Creativ can powder coat fittings to any RAL colour you require by request.

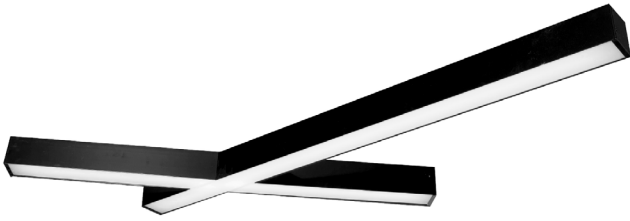
SPECIAL FX FINISHES



Contact us for all SFX finish prices and specification. Synergy Creativ's Special FX textured finishes include Marble, Concrete, Wood Grains, Metallic and many more. All images are for illustrative purposes only; actual product may vary, please contact us for samples.

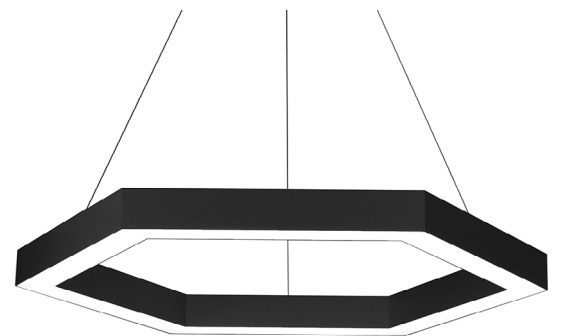
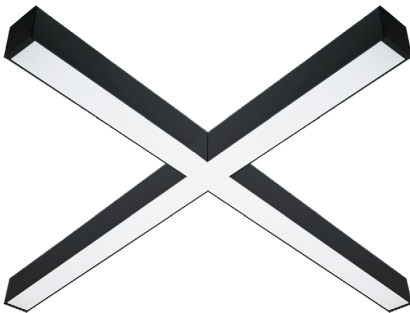
Polaris 55 Recessed Opal

LED Linear Luminaire



FULLY CUSTOMISABLE

If you can
imagine it
Synergy Creativ
can make it



HEAD OFFICE: Unit 4, Charlton Mead Lane, Hoddesdon, Hertfordshire EN11 0DJ

SHOWROOM: 121-131 Rosebery Ave, London EC1R 4RF

SHOWROOM: 1 New York St, Manchester M1 4HD

01992 445828



Enabled
Licensing Program for LED
Luminaires and Retrofit Bulbs

Member
Synergy Commercial
Lighting Limited

