



**STAND OUT FROM
THE CROWD**

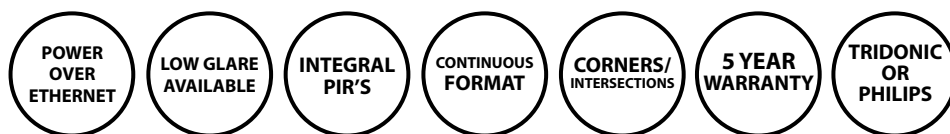
Polaris 55 Recessed Low Glare

LED Linear Luminaire



Polaris 55 Recessed Low Glare

LED Linear Luminaire



SPECIFICATION DATA

Code	Nominal weight (KG)	Size (mm)	Cutout size (mm)	Luminaire power (tcW)	Delivered Lumens (lm)	Efficacy (lm/cw)	Colour Temp (°K)	CRI	Power Factor (TOP driver)
P55IB/1/OS/F/0568/4K8	1.9	568	572x52	7.34	888	121.0	4000	>80	>0.9
P55IB/1/OS/F/0848/4K8	2.5	848	852x52	11.01	1316	119.5	4000	>80	>0.9
P55IB/1/OS/F/1128/4K8	3.1	1128	1132x52	14.68	1764	120.2	4000	>80	>0.9
P55IB/1/OS/F/1408/4K8	3.7	1408	1412x52	18.11	2201	121.5	4000	>80	>0.9
P55IB/1/OS/F/1688/4K8	4.4	1688	1692x52	22.02	2639	119.8	4000	>80	>0.9
P55IB/1/OS/F/1968/4K8	5	1968	1972x52	25.69	3077	119.8	4000	>80	>0.9
P55IB/1/OS/F/2248/4K8	5.6	2248	2252x52	29.12	3515	120.7	4000	>80	>0.9
P55IB/1/OS/F/2528/4K8	6.2	2528	2532x52	32.79	3952	120.5	4000	>80	>0.9
P55IB/1/OS/F/2808/4K8	6.8	2808	2812x52	36.7	4390	119.6	4000	>80	>0.9
P55IB/1/OS/F/3088/4K8	7.7	3088	3092x52	40.13	4828	120.3	4000	>80	>0.9
P55IB/1/OS/F/3368/4K8	8.3	3368	3372x52	43.8	5266	120.2	4000	>80	>0.9
P55IB/1/OS/F/3648/4K8	8.9	3648	3652x52	47.47	5709	120.3	4000	>80	>0.9
P55IB/1/OS/F/3928/4K8	9.6	3928	3932x52	51.14	6141	120.1	4000	>80	>0.9

- 5 year warranty
- See website for LDT files
- MacAdam 3 Step
- Rated Life: 70,000hrs
- IP20
- For CAD/BIM contact us

Please note, maximum run length of standard output fittings is 40m. Any length over this will require an additional mains feed position.

Synergy Creativ also offers **Polaris 55 Visual Comfort** version that meets standard EN 12464 which defines a maximum luminance limit of 3000 candelas per square metre at angles of 65 degrees and above.



TRIDONIC



Scenario
INTELLIGENT INFRASTRUCTURES



Polaris 55 Recessed Low Glare

LED Linear Luminaire



Construction

- Extruded aluminium profile
- Clip-in diffuser
- European brand control gear
- Made in the UK

Features

- High efficiency LED boards
- Range of length options
- Wide-beam light distribution

Applications

- Commercial and Business Areas
- Public buildings
- Housing
- Offices
- Hotels and Restaurants
- Arts and Culture spaces

Benefits

- Custom-fit options
- Contemporary style
- Energy efficient solution
- 5 Year warranty

Optical Options

Code	Description
/VC	Visual Comfort Low Glare
/HX	Low Glare
/OS	Opal

CCT Options

Code	Description
4K8	4000K (Standard)
3K8	3000K

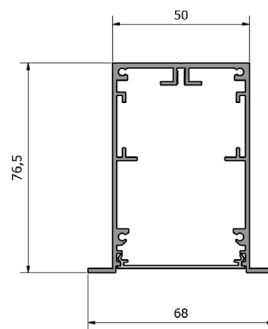
For 3000K version, replace '4K8' in part number with '3K8'

Control Options

Code	Description
D	DALI
S	Switchdim control

For DALI control, replace 'F' in part number with 'D' for SwitchDim replace 'F' with 'S'

Dimensions



Finish Options

Code	Description
B	Black RAL 9005 (Standard)
W	White RAL 9016
S	Silver RAL 9006
RAL	Any RAL by request
SFX	Special effect finishes (SFX) by request. See Product Portfolio

For White finish, replace 'B' in part number with 'W' for Silver replace 'B' with 'S'. Contact us for custom RAL

Emergency Options

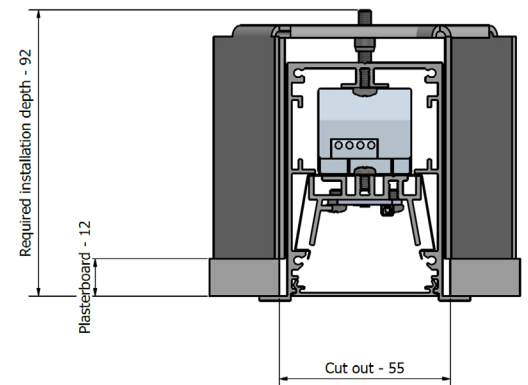
Code	Description
/EM	3 hour maintained, manual test
/ED	3 hour maintained, DALI / Self Test

For emergency version, add onto end of part number as required

Continuous Options

Code	Description
C	Continuous
S	Start of run
E	End of run

Part numbers are for individual luminaires. For continuous replace 'I' in part number with 'C', 'S' or 'E'. Please specify continuous separately. ie **P31B/HX/F/3990/4K8**



Please Note: This is for single 12.5mm plasterboard – if double plasterboard is being used please contact us as we can offer a longer rod to fit the bracket.

Please note, The light source contained in this luminaire shall only be replaced by the manufacturer or his service agent or a similar qualified person.

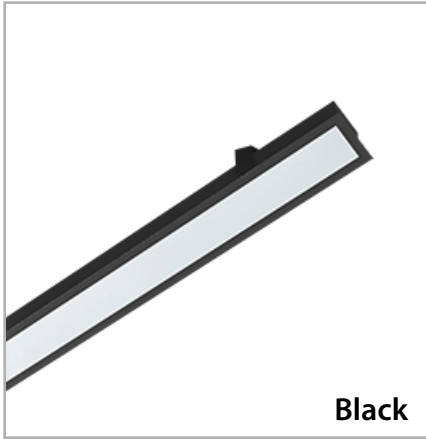
Synergy Creativ also offers **Polaris 55 Visual Comfort** version that meets standard EN 12464 which defines a maximum luminance limit of 3000 candelas per square metre at angles of 65 degrees and above.

Polaris 55 Recessed Low Glare

LED Linear Luminaire



STANDARD FINISHES



Black finish as standard - represented by 'B' in the part number

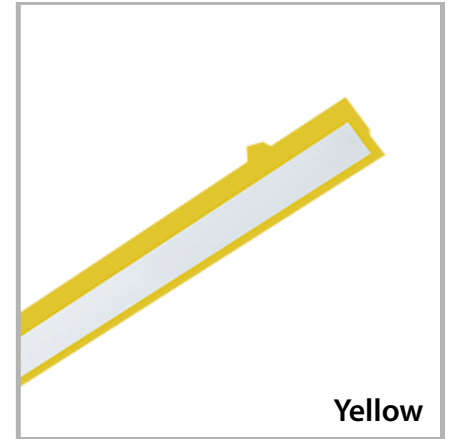
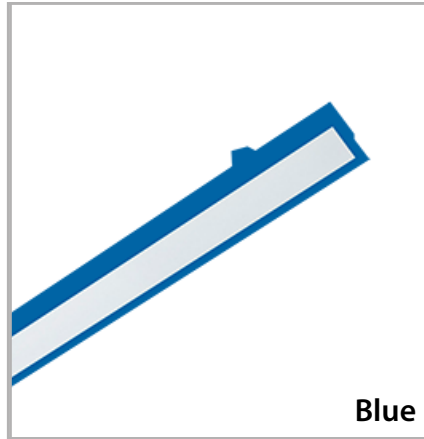
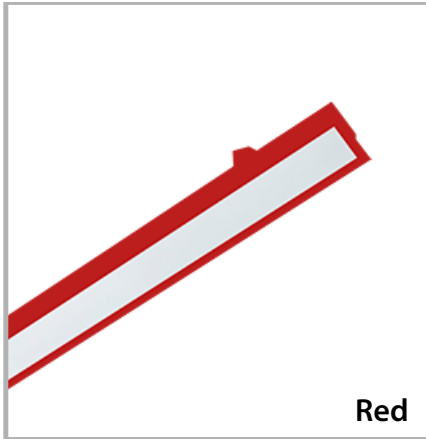


For White finish, replace 'B' in part number with 'W'



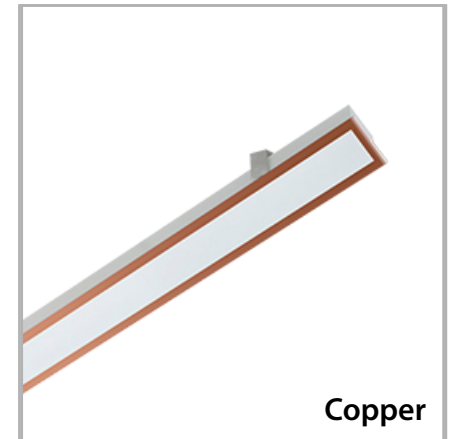
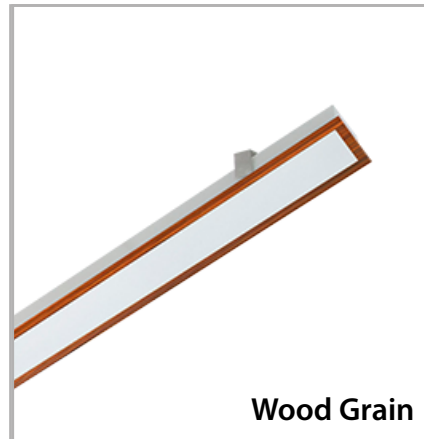
For Silver finish, replace 'B' in part number with 'S'

ANY RAL BY REQUEST



Contact us for custom RAL finishes prices and specification. Synergy Creativ can powder coat fittings to any RAL colour you require by request.

SPECIAL FX FINISHES



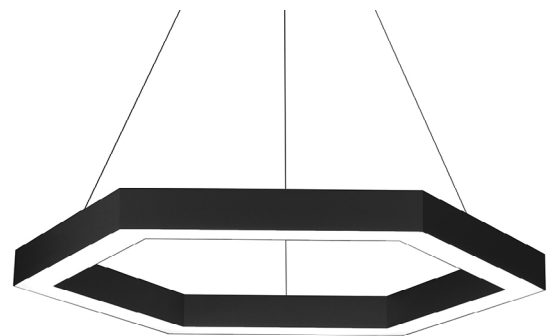
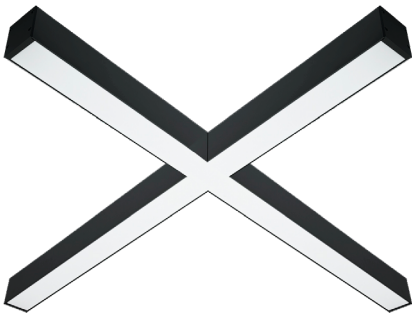
Contact us for all SFX finish prices and specification. Synergy Creativ's Special FX textured finishes include Marble, Concrete, Wood Grains, Metallic and many more. All images are for illustrative purposes only; actual product may vary, please contact us for samples.

Polaris 55 Recessed Low Glare

LED Linear Luminaire



FULLY CUSTOMISABLE
If you can
imagine it
Synergy Creativ
can make it



HEADOFFICE: Unit 5, Trident industrial Estate, Pindar Rd, Hoddesdon Hertfordshire, EN11 0WZ

SHOWROOM: 121 - 131 Rosebery Ave, London, EC1R 4RF

SHOWROOM: 1 New York St, Manchester, M1 4HD

01992 445828

