



**STAND OUT FROM  
THE CROWD**

**Polaris 55 Recessed Low Glare**

LED Linear Luminaire



# Polaris 55 Recessed Low Glare

LED Linear Luminaire



## SPECIFICATION DATA

Code	Finish	Distribution	Size (mm)	Delivered Lumens (lm)	Total System Wattage (W)	Efficacy (lm/cw)	Colour Temp (°K)	CRI
<b>P55IB/1/HX/F/0568/4K8</b>	RAL 9005	Direct only	568	888	7.34	121.0	4000	>80
<b>P55IB/1/HX/F/0848/4K8</b>	RAL 9005	Direct only	848	1316	11.01	119.5	4000	>80
<b>P55IB/1/HX/F/1128/4K8</b>	RAL 9005	Direct only	1128	1764	14.68	120.2	4000	>80
<b>P55IB/1/HX/F/1408/4K8</b>	RAL 9005	Direct only	1408	2201	18.11	121.5	4000	>80
<b>P55IB/1/HX/F/1688/4K8</b>	RAL 9005	Direct only	1688	2639	22.02	119.8	4000	>80
<b>P55IB/1/HX/F/1968/4K8</b>	RAL 9005	Direct only	1968	3077	25.69	119.8	4000	>80
<b>P55IB/1/HX/F/2248/4K8</b>	RAL 9005	Direct only	2248	3515	29.12	120.7	4000	>80
<b>P55IB/1/HX/F/2528/4K8</b>	RAL 9005	Direct only	2528	3952	32.79	120.5	4000	>80
<b>P55IB/1/HX/F/2808/4K8</b>	RAL 9005	Direct only	2808	4390	36.7	119.6	4000	>80
<b>P55IB/1/HX/F/3088/4K8</b>	RAL 9005	Direct only	3088	4828	40.13	120.3	4000	>80
<b>P55IB/1/HX/F/3368/4K8</b>	RAL 9005	Direct only	3368	5266	43.8	120.2	4000	>80
<b>P55IB/1/HX/F/3648/4K8</b>	RAL 9005	Direct only	3648	5709	47.47	120.3	4000	>80
<b>P55IB/1/HX/F/3928/4K8</b>	RAL 9005	Direct only	3928	6141	51.14	120.1	4000	>80

- Part numbers are for individual luminaires.
- 5 year warranty
- See website for LDT files
- For CAD/BIM contact us
- For bespoke lengths please contact us
- See website for Technical Data Sheet
- IP20

**Please note**, maximum run length of standard output fittings is 40m. Any length over this will require an additional mains feed position.

Synergy Creativ also offers **Polaris 55 Visual Comfort** version that meets standard EN 12464 which defines a maximum luminance limit of 3000 candelas per square metre at angles of 65 degrees and above.



TRIDONIC

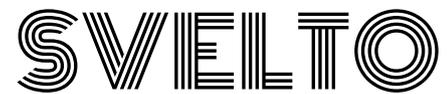


Scenario  
INTELLIGENT INFRASTRUCTURES



# Polaris 55 Recessed Low Glare

## LED Linear Luminaire



### Construction

- Extruded aluminium profile
- Clip-in diffuser
- European brand control gear
- Made in the UK

### Features

- High efficiency LED boards
- Range of length options
- Wide-beam light distribution

### Applications

- Commercial and Business Areas
- Public buildings
- Housing
- Offices
- Hotels and Restaurants
- Arts and Culture spaces

### Benefits

- Custom-fit options
- Contemporary style
- Energy efficient solution
- 5 Year warranty

### Optical Options

Code	Description
/VC	Visual Comfort Low Glare
/HX	Low Glare
/OS	Opal

### CCT Options

Code	Description
4K8	4000K (Standard)
3K8	3000K

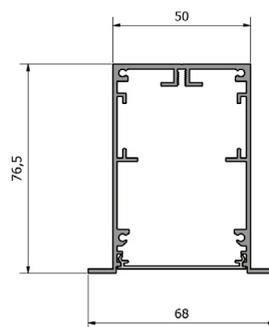
For 3000K version, replace '4K8' in part number with '3K8'

### Control Options

Code	Description
D	DALI
S	Switchdim control

For DALI control, replace 'F' in part number with 'D' for SwitchDim replace 'F' with 'S'

### Dimensions



### Finish Options

Code	Description
B	Black RAL 9005 (Standard)
W	White RAL 9016
S	Silver RAL 9006
RAL	Any RAL by request
SFX	Special effect finishes (SFX) by request. See Product Portfolio

For White finish, replace 'B' in part number with 'W' for Silver replace 'B' with 'S'. Contact us for custom RAL

### Emergency Options

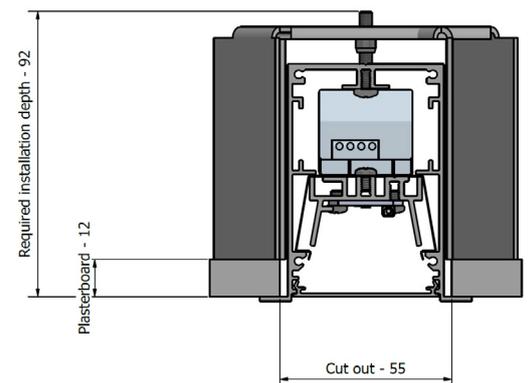
Code	Description
/EM	3 hour maintained, manual test
/ED	3 hour maintained, DALI / Self Test

For emergency version, add onto end of part number as required

### Continuous Options

Code	Description
C	Continuous
S	Start of run
E	End of run

Part numbers are for individual luminaires. For continuous replace 'I' in part number with 'C', 'S' or 'E'. Please specify continuous separately. ie **P31B/HX/F/3990/4K8**



Please Note: This is for single 12.5mm plasterboard – if double plasterboard is being used please contact us as we can offer a longer rod to fit the bracket.

**Please note,** The light source contained in this luminaire shall only be replaced by the manufacturer or his service agent or a similar qualified person.

Synergy Creativ also offers **Polaris 55 Visual Comfort** version that meets standard EN 12464 which defines a maximum luminance limit of 3000 candelas per square metre at angles of 65 degrees and above.

# Polaris 55 Recessed Low Glare

LED Linear Luminaire



## STANDARD FINISHES



Black finish as standard - represented by 'B' in the part number

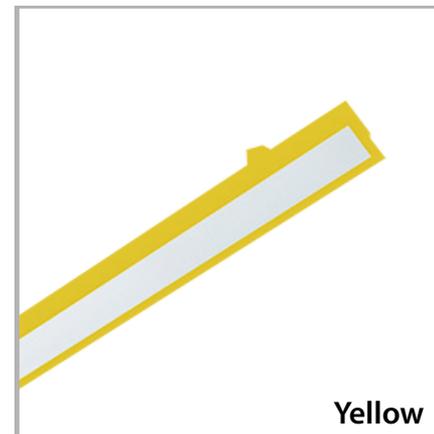
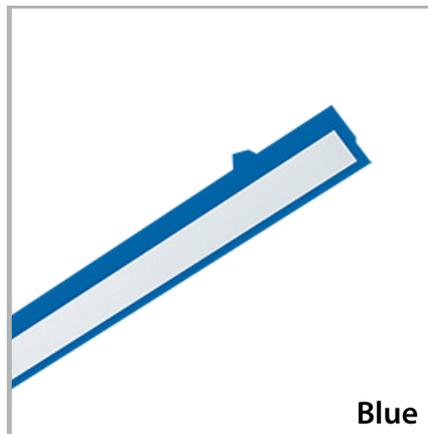
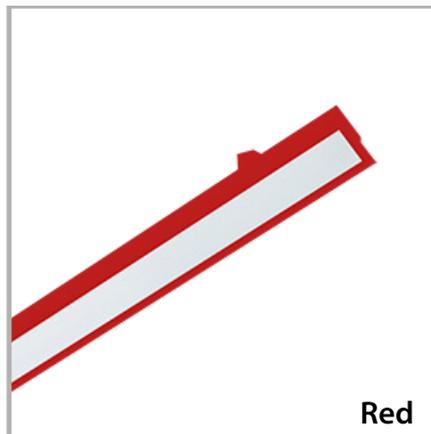


For White finish, replace 'B' in part number with 'W'



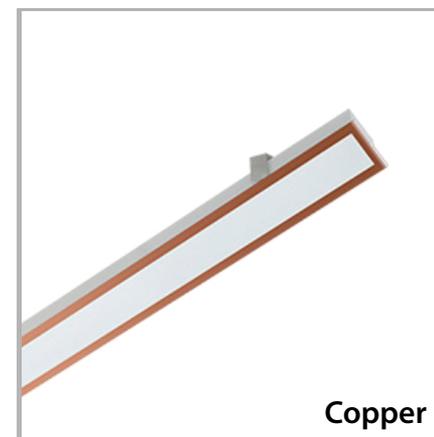
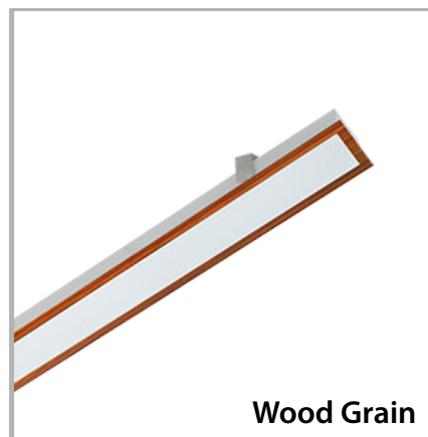
For Silver finish, replace 'B' in part number with 'S'

## ANY RAL BY REQUEST



Contact us for custom RAL finishes prices and specification. Synergy Creativ can powder coat fittings to any RAL colour you require by request.

## SPECIAL FX FINISHES

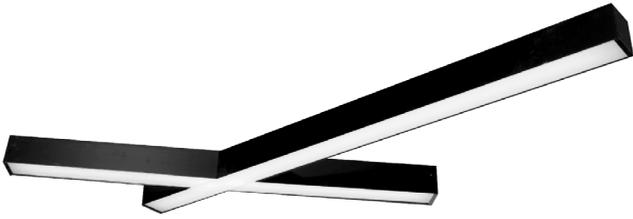


Contact us for all SFX finish prices and specification. Synergy Creativ's Special FX textured finishes include Marble, Concrete, Wood Grains, Metallic and many more. All images are for illustrative purposes only; actual product may vary, please contact us for samples.

# Polaris 55 Recessed Low Glare

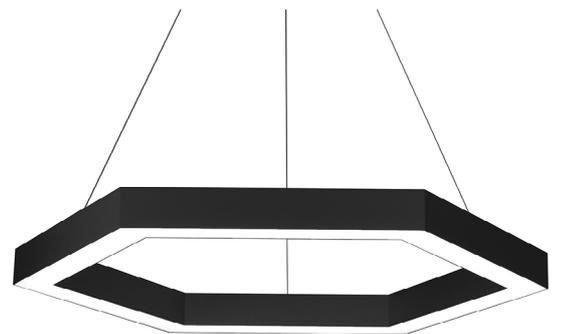
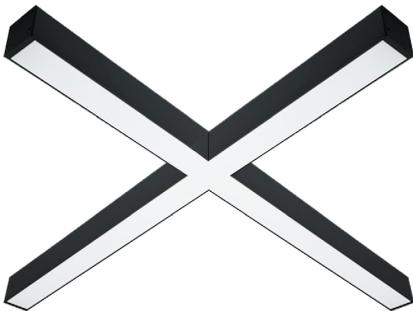
LED Linear Luminaire

SVIELTO



FULLY CUSTOMISABLE

If you can  
imagine it  
Synergy Creativ  
can make it

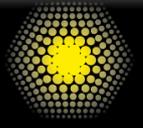


HEAD OFFICE: Unit 4, Charlton Mead Lane, Hoddesdon, Hertfordshire EN11 0DJ

SHOWROOM: 121-131 Rosebery Ave, London EC1R 4RF

SHOWROOM: 1 New York St, Manchester M1 4HD

01992 445828



Enabled  
Licensing Program for LED  
Luminaires and Retrofit Bulbs

Member  
Synergy Commercial  
Lighting Limited

