



SYNERGY
CREATIV.

**STAND OUT FROM
THE CROWD**

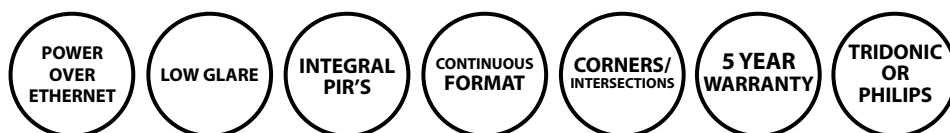
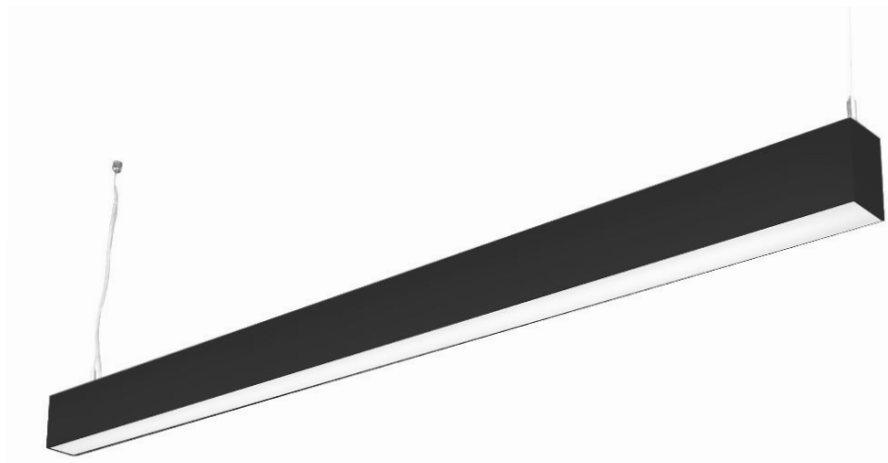
Polaris 52 Direct/Indirect Low Glare

LED Linear Luminaire

SVELTO

Polaris 52 Direct/Indirect Low Glare

LED Linear Luminaire



Please note, maximum run length of standard output fittings is 25m. Any length over this will require an additional mains feed position.

SPECIFICATION DATA

Code	Nominal weight (KG)	Size (mm)	Cutout size (mm)	Luminaire power (tcW)	Delivered Lumens (lm)	Efficacy (lm/cw)	Colour Temp (°K)	CRI	Power Factor (TOP driver)
P52IB/2/HX/F/0568/4K8	1.9	568mm	N/A	10.94	1267	115.8	4000	>80	>0.9
P52IB/2/HX/F/0848/4K8	2.5	848mm	N/A	18.23	2088	114.5	4000	>80	>0.9
P52IB/2/HX/F/1128/4K8	3.2	1128mm	N/A	25.52	2908	113.9	4000	>80	>0.9
P52IB/2/HX/F/1408/4K8	3.8	1408mm	N/A	32.48	3729	114.8	4000	>80	>0.9
P52IB/2/HX/F/1688/4K8	4.7	1688mm	N/A	40.11	4549	113.4	4000	>80	>0.9
P52IB/2/HX/F/1968/4K8	5.3	1968mm	N/A	47.40	5369	113.3	4000	>80	>0.9
P52IB/2/HX/F/2248/4K8	5.9	2248mm	N/A	54.93	6190	112.7	4000	>80	>0.9
P52IB/2/HX/F/2528/4K8	6.6	2528mm	N/A	62.23	7010	112.6	4000	>80	>0.9
P52IB/2/HX/F/2808/4K8	7.2	2808mm	N/A	69.52	7831	112.6	4000	>80	>0.9
P52IB/2/HX/F/3088/4K8	8.1	3088mm	N/A	76.81	8651	112.6	4000	>80	>0.9
P52IB/2/HX/F/3368/4K8	8.7	3368mm	N/A	84.10	9471	112.6	4000	>80	>0.9
P52IB/2/HX/F/3648/4K8	9.6	3648mm	N/A	91.39	10292	112.6	4000	>80	>0.9
P52IB/2/HX/F/3928/4K8	10.2	3928mm	N/A	98.69	11112	112.6	4000	>80	>0.9

- 5 year warranty
- See website for LDT files
- MacAdam 3 Step
- Rated Life: 70,000hrs
- IP20
- For CAD/BIM contact us

Synergy Creativ also offers **Polaris 52 Direct/indirect Visual Comfort** version that meets standard EN 12464 which defines a maximum luminance limit of 3000 candelas per square metre at angles of 65 degrees and above.



TRIDONIC



Scenario
INTELLIGENT INFRASTRUCTURES



Polaris 52 Direct/Indirect Low Glare

LED Linear Luminaire



Construction

- Extruded aluminium profile
- Clip-in diffuser
- European brand control gear
- Made in the UK

Features

- High efficiency LED boards
- Range of length options
- Wide-beam light distribution

Applications

- Commercial and Business Areas
- Public buildings
- Housing
- Offices
- Hotels and Restaurants
- Arts and Culture spaces

Benefits

- Custom-fit options
- Contemporary style
- Energy efficient solution
- 5 Year warranty

Optical Options

Code	Description
/HXP	Low Glare
/OS	Opal

CCT Options

Code	Description
4K8	4000K (Standard)
3K8	3000K

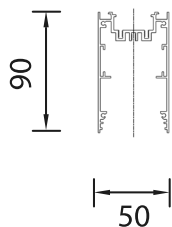
For 3000K version, replace '4K8' in part number with '3K8'

Control Options

Code	Description
D	DALI
S	Switchdim control

For DALI control, replace 'F' in part number with 'D' for SwitchDim replace 'F' with 'S'

Dimensions



Mounting Options

Code	Description
P52/SUS/1.25M	Suspended 1.25M
P52/SUS/3.0M	Suspended 3M
P52/SUS/5.0M	Suspended 5M
/NA	Surface Mounted (Standard)

For suspended specify the codes as required.

Finish Options

Code	Description
B	Black RAL 9005 (Standard)
W	White RAL 9016
S	Silver RAL 9006
RAL	Any RAL by request
SFX	Special effect finishes (SFX) by request. See Product Portfolio

For White finish, replace 'B' in part number with 'W' for Silver replace 'B' with 'S'. Contact us for custom RAL

Emergency Options

Code	Description
/EM	3 hour maintained, manual test
/ED	3 hour maintained, DALI / Self Test

For emergency version, add onto end of part number as required

Continuous Options

Code	Description
C	Continuous
S	Start of run
E	End of run

Part numbers are for individual luminaires. For continuous replace 'I' in part number with 'C', 'S' or 'E'. Please specify continuous separately.

Please note, The light source contained in this luminaire shall only be replaced by the manufacturer or his service agent or a similar qualified person.

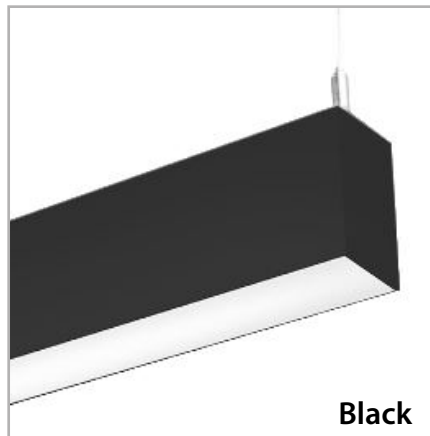
Synergy Creativ also offers **Polaris 52 Direct/indirect Visual Comfort** version that meets standard EN 12464 which defines a maximum luminance limit of 3000 candelas per square metre at angles of 65 degrees and above.

Polaris 52 Direct/Indirect Low Glare

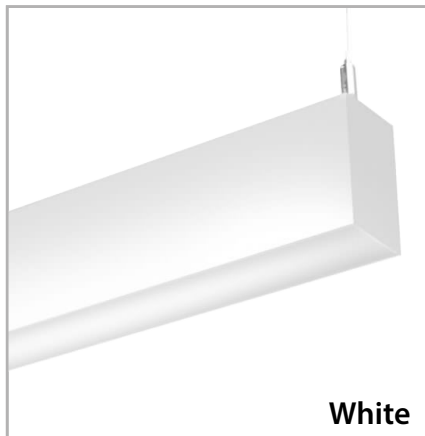
LED Linear Luminaire



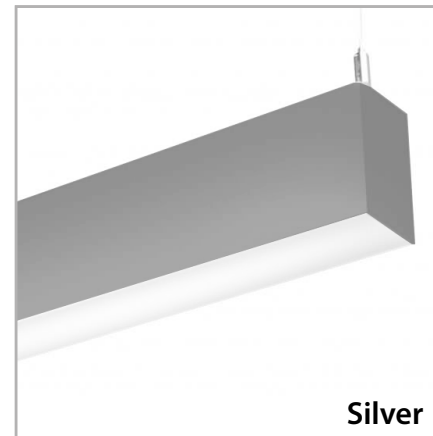
STANDARD FINISHES



Black finish as standard - represented by 'B' in the part number

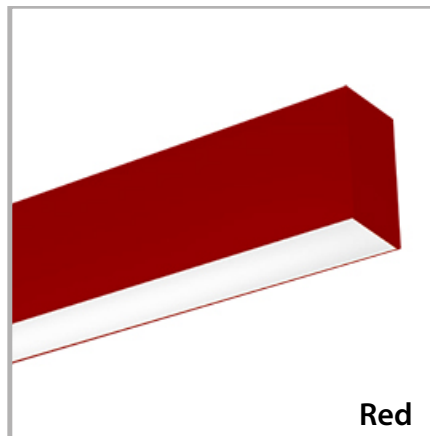


For White finish, replace 'B' in part number with 'W'

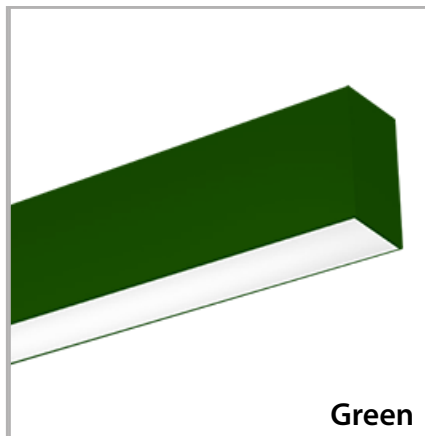


For Silver finish, replace 'B' in part number with 'S'

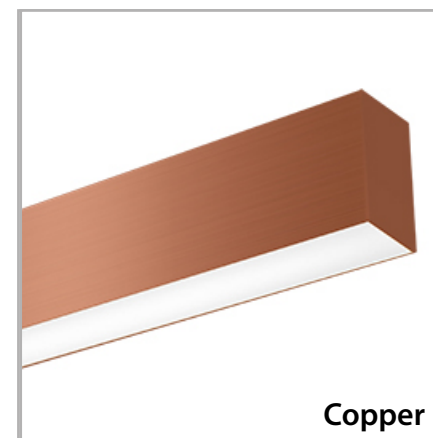
ANY RAL BY REQUEST



Contact us for custom RAL finishes prices and specification. Synergy Creativ can powder coat fittings to any RAL colour you require by request.



SPECIAL FX FINISHES



Contact us for all SFX finish prices and specification. Synergy Creativ's Special FX textured finishes include Marble, Concrete, Wood Grains, Metallic and many more. All images are for illustrative purposes only; actual product may vary, please contact us for samples.

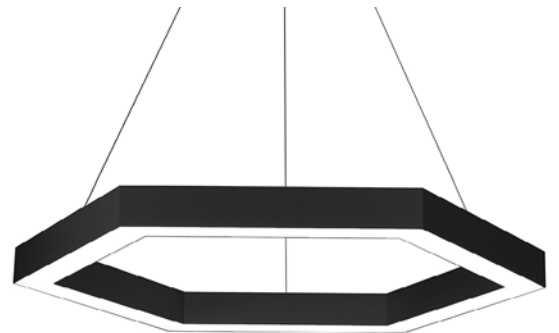
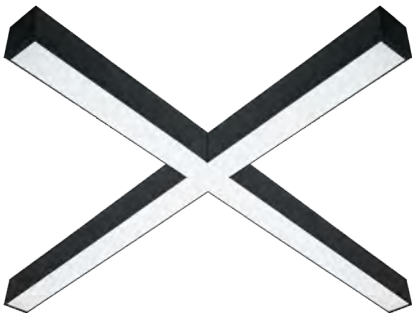
Polaris 52 Direct/Indirect Low Glare

LED Linear Luminaire



FULLY CUSTOMISABLE

If you can
imagine it
Synergy Creativ
can make it



Polaris 52 Direct/Indirect Low Glare

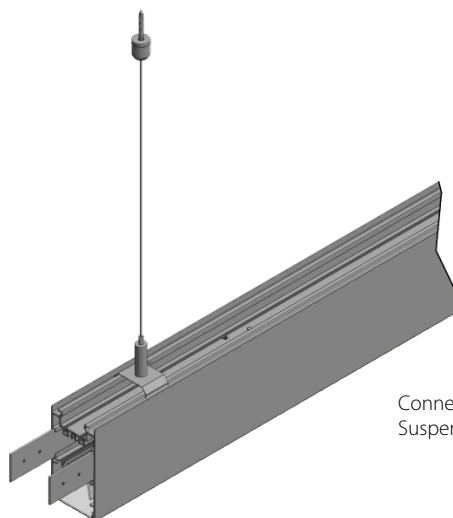
LED Linear Luminaire



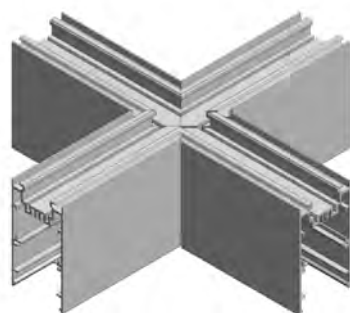
Accessories



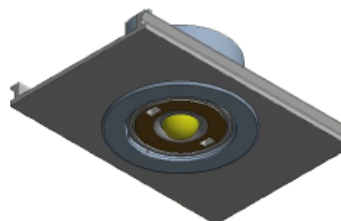
Corner connector



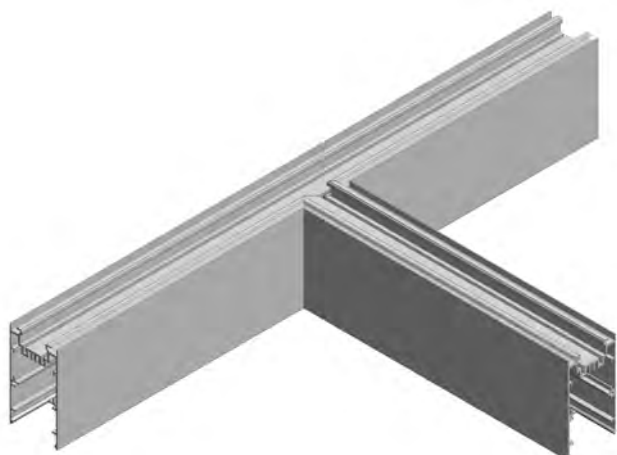
Connector plates and Suspension



X connector



PIR Plate



T connector



HEADOFFICE: Unit 5, Trident industrial Estate, Pindar Rd, Hoddesdon Hertfordshire, EN11 0WZ

SHOWROOM: 121 - 131 Rosebery Ave, London, EC1R 4RF

SHOWROOM: 1 New York St, Manchester, M1 4HD

01992 445828

