

Dolio Midi Three

Commercial Surface Downlight

SVIELTO



SPECIFICATION DATA

Code	Finish	Beam Angle (°)	Size (mm)	Delivered Lumens (lm)	Total System Wattage (W)	Efficacy (lm/cw)	Colour Temp (°K)	CRI
DOLM3B/F/2500/4K8/25	Black	25	120ø x 295	2485	17.7	140.4	4000	>80
DOLM3B/F/4500/4K8/25	Black	25	120ø x 295	4570	32.4	141.0	4000	>80
DOLM3B/F/2500/4K8/40	Black	40	120ø x 295	2485	17.7	140.4	4000	>80
DOLM3B/F/4500/4K8/40	Black	40	120ø x 295	4570	32.4	141.0	4000	>80
DOLM3B/F/2500/4K8/60	Black	60	120ø x 295	2485	17.7	140.4	4000	>80
DOLM3B/F/4500/4K8/60	Black	60	120ø x 295	4570	32.4	141.0	4000	>80

- 5 year warranty
- See website for LDT files
- For CAD/BIM contact us
- For bespoke lengths please contact us
- See website for Technical Data Sheet
- IP20



Dolio Midi Three

Commercial Surface Downlight



Construction

- Extruded aluminium
- Multi-faceted reflector
- Polycarbonate diffuser
- Tridonic LED boards

Features

- Ideal for ceilings without a void
- Range of beam angle options
- IP20

Applications

- Commercial and Business Areas
- Public buildings
- Retail
- Offices
- Hotels and Restaurants
- Arts and Culture spaces

Benefits

- Contemporary style
- Energy efficient solution
- Tridonic control gear

Optical Options

Code	Description
N/A	25° beam angle
N/A	40° beam angle
N/A	60° beam angle

CCT Options

Code	Description
4K8	4000K (Standard)
3K8	3000K

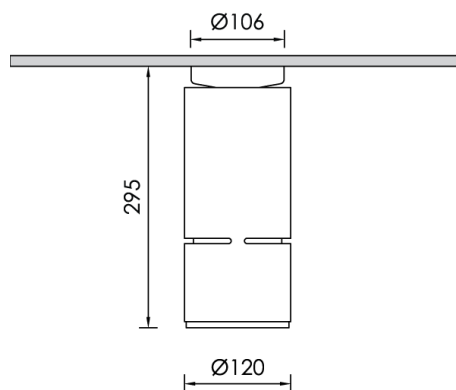
For 3000K version, replace '4K8' in part number with '3K8'

Control Options

Code	Description
D	DALI
S	Switchdim control

For DALI or Switchdim control, please contact sales team. Remote driver only

Dimensions



Mounting Options

Code	Description
N/A	Surface Mounted (Standard)
/SUS	Suspended

For suspended version please add '/SUS' on the end of the part number.

Finish Options

Code	Description
B	Black (Standard)
W	White
G	Grey

For White finish, replace 'B' in part number with 'W' for Grey replace 'B' with 'G'

Emergency Options

Code	Description
/EM	3 hour maintained, manual test
/ES	3 hour maintained, Self Test

For emergency version, add onto end of part number as required. Remote EM pack required.



HEAD OFFICE: Unit 4, Charlton Mead Lane, Hoddesdon, Hertfordshire EN11 0DJ

SHOWROOM: 121-131 Rosebery Ave, London EC1R 4RF

SHOWROOM: 1 New York St, Manchester M1 4HD

01992 445828

